



**NOTICE OF AMENDMENT TO REQUEST FOR PROPOSAL (RFP)**

**Amendment 1  
To  
RFP #1-FY19-PDC-006 Thwajiki Ké Residential Treatment Center Tenant-Improvements**

<b>RFP Issue Date</b>	2/20/19
<b>Amendment 1</b>	3/7/19
<b>Pre-Bid Conference (attendance mandatory)</b>  <b>Location:</b> Hu Hu Kam Memorial Hospital Building#2 483 W. Seed Farm Rd. Sacaton, AZ 85147	3/7/19  2:30 PM Arizona Time
<b>Deadline for RFP Inquiries/Communication:</b> Inquiries must be made in writing (via email) No inquiries will be addressed after this date	3/14/19  12:00 PM Arizona Time
<b>Addendum Issued (if applicable):</b> Final Addendum to RFP will be issued; no inquiries or communications will be allowed regarding questions about RFP	3/15/19
<b>RFP Response Due Date</b> Contracts and Grants Office –Bldg. 5 483 W. Seed Farm Rd. Sacaton AZ 85147	3/29/19  12:00 PM Arizona Time
<b>Short listed Firm Interview Confirmation (if applicable):</b>	Upon Selection
<b>Recommendations and Approval</b>	Upon approval of the Evaluation Committee’s contract award recommendation

When responding to the RFP #1-FY19-PDC-006 Thwajiki Ké Residential Treatment Center Tenant-Improvements, please use the Amended RFP.



Amendment 1 modifies RFP #1-FY19-PDC-006 Thwajiki Ké Residential Treatment Center Tenant-Improvements as follows:

1. Install 500Lb load rated attic ladder at location shown on plans. See attached specification or equal (Exhibit A). Install trim around opening for clean look.
2. Install sound absorbing panels in Multi-Purpose Room in Building 500 per specifications in Exhibit A.

Back-Mounted, Edge-Reinforced Acoustical Wall Panels: Manufacturer's (Lamvin Incorporated or Panel Solutions, Inc. or Quiet Technology Systems or Decoustics or Wall Technology) standard panel construction consisting of facing material laminated to front, edges, and back border of molded glass fiber board core, with edges chemically hardened to reinforce panel perimeter against warpage and damage, and complying with the following requirements:

1. Density: 2" thick, 6 – 7 lbs. per cu. ft. faced with 1/8" thick 12 – 16 lbs per cu. ft. high density fiberglass.
2. Thickness/NRC: Nominal overall thickness of 2-1/6 inch/NRC of 0.90.
3. Facing Material: Gilford, style Quincey color as selected by Architect from manufacturer's full line of colors.
4. Panel Size: 5' high x 120' total length band all around the room. (Bottom of panels at 8' AFF on north, west and south walls and 14' AFF on east wall).
5. Corner Detail: **Square**
6. Edge Detail: **Square**
7. Mounting: Impaling clip and/or adhesive as recommended by manufacturer for substrate.

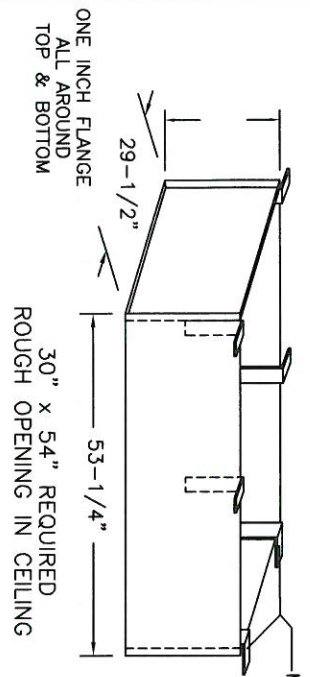
**Attic ladder and sound absorbing boards should be bid as alternates.**

End of document

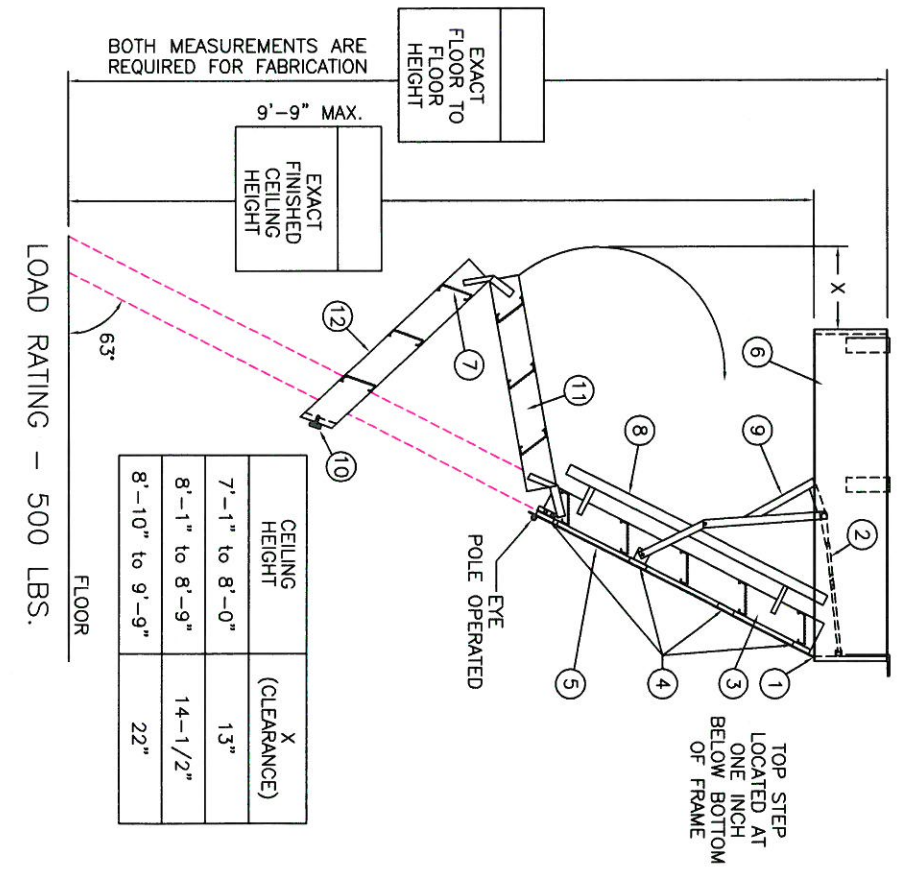
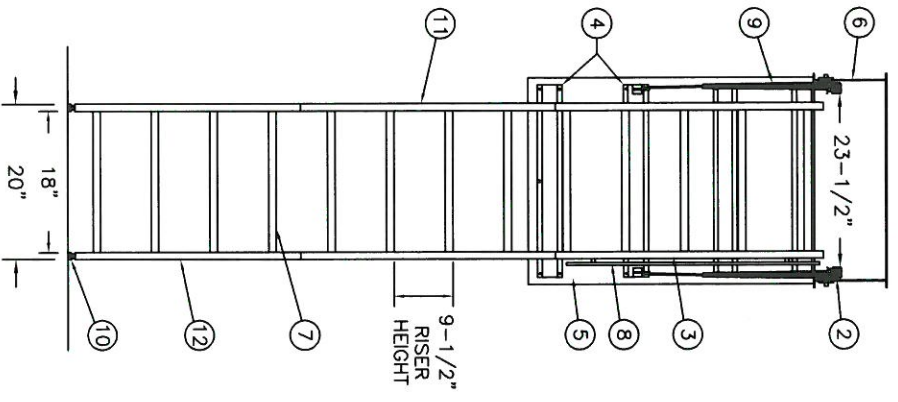
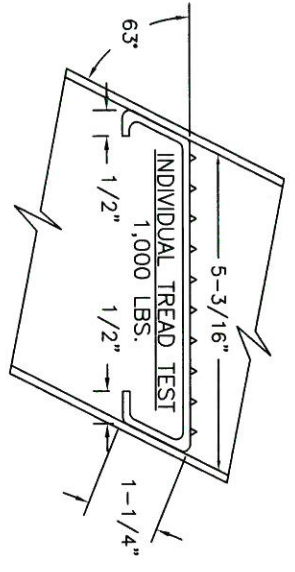
**EXHIBIT A**

**SUPER SIMPLEX DISAPPEARING STAIRWAY WITH STANDARD BOX FRAME**

(USE THIS DRAWING FOR CEILING HEIGHTS 9'-9" OR LESS)



**STANDARD BOX FRAME**  
**FABRICATED FROM 1/8" STEEL**  
 THIS DRAWING ACCOMMODATES FRAME DEPTHS FROM 6" TO 11".



CEILING HEIGHT	X (CLEARANCE)
7'-1" to 8'-0"	13"
8'-1" to 8'-9"	14-1/2"
8'-10" to 9'-9"	22"

**OPTIONS**

- 2 HOUR FIRE RATED ASSEMBLY
- LOCK ON DOOR PANEL
- FOLD ASSIST

**LADDER LEGEND**

1. STEEL PIANO DOOR HINGE
2. DOUBLE SPRING ACTION
3. SIDE RUNNER 5" ALUM.
4. BATTEN 1/8" ALUM.
5. DOOR PANEL 1/8" ALUM.
6. STEEL BOX FRAME
7. TREAD (SERRATED ALUM.)
8. HANDRAIL RIGHT SIDE ONLY
9. EXTRA HEAVY OPERATING ARM
10. ADJUSTABLE FOOT
11. MIDDLE SECTION
12. BOTTOM SECTION

**NOT TO SCALE**

IF FLOOR ABOVE IS MORE THAN 12" ABOVE CEILING LINE, 63 DEGREE ANGLE FRAME IS RECOMMENDED.

DIMENSIONS ON THIS DRAWING PERTAIN ONLY TO CEILING HEIGHTS 9'-9" OR LESS AND LESS THAN A 12" FRAME. SHIPS COMPLETELY ASSEMBLED AS ONE UNIT.

<p><b>Precision Ladders, LLC</b>                  P.O. Box 2279 Morrisville, TN 37816-2279                  Ph: (423) 586-2265 Fax: (423) 586-2091                  www.PrecisionLadders.com</p>	DWG. CHECK	ARCHT. OR ENGR.	PROJECT	PURCHASER	PRECISION REP
	BUILT BY:	PURCHASE ORDER	REVISION	MODEL#	SERIAL#
CHECKED BY:	DRAWN BY:	DATE	SS/AL	QTY.	
	JBR	10/27/09			